

SOBC Birthday Hat

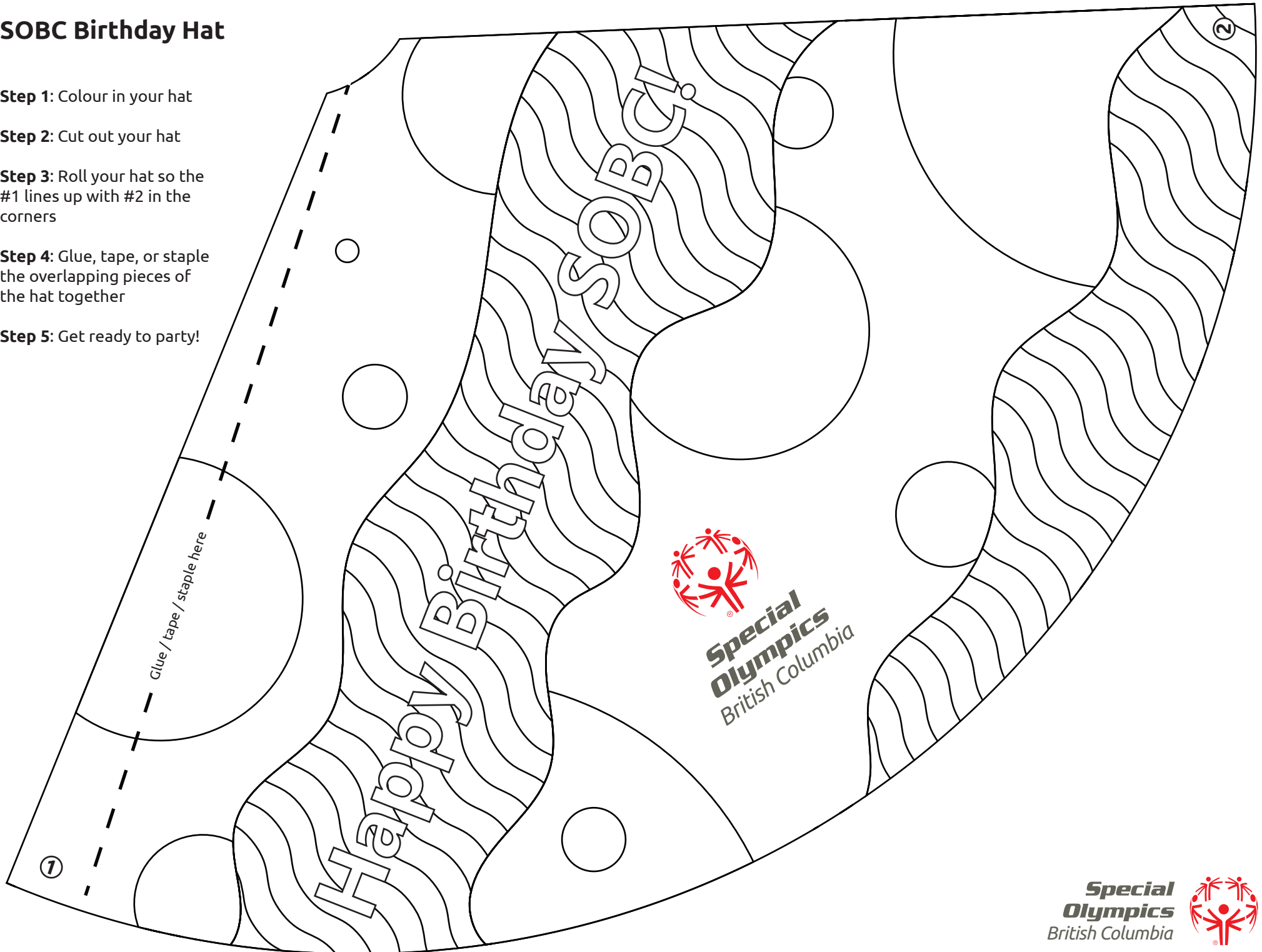
Step 1: Colour in your hat

Step 2: Cut out your hat

Step 3: Roll your hat so the #1 lines up with #2 in the corners

Step 4: Glue, tape, or staple the overlapping pieces of the hat together

Step 5: Get ready to party!



Happy
Birthday

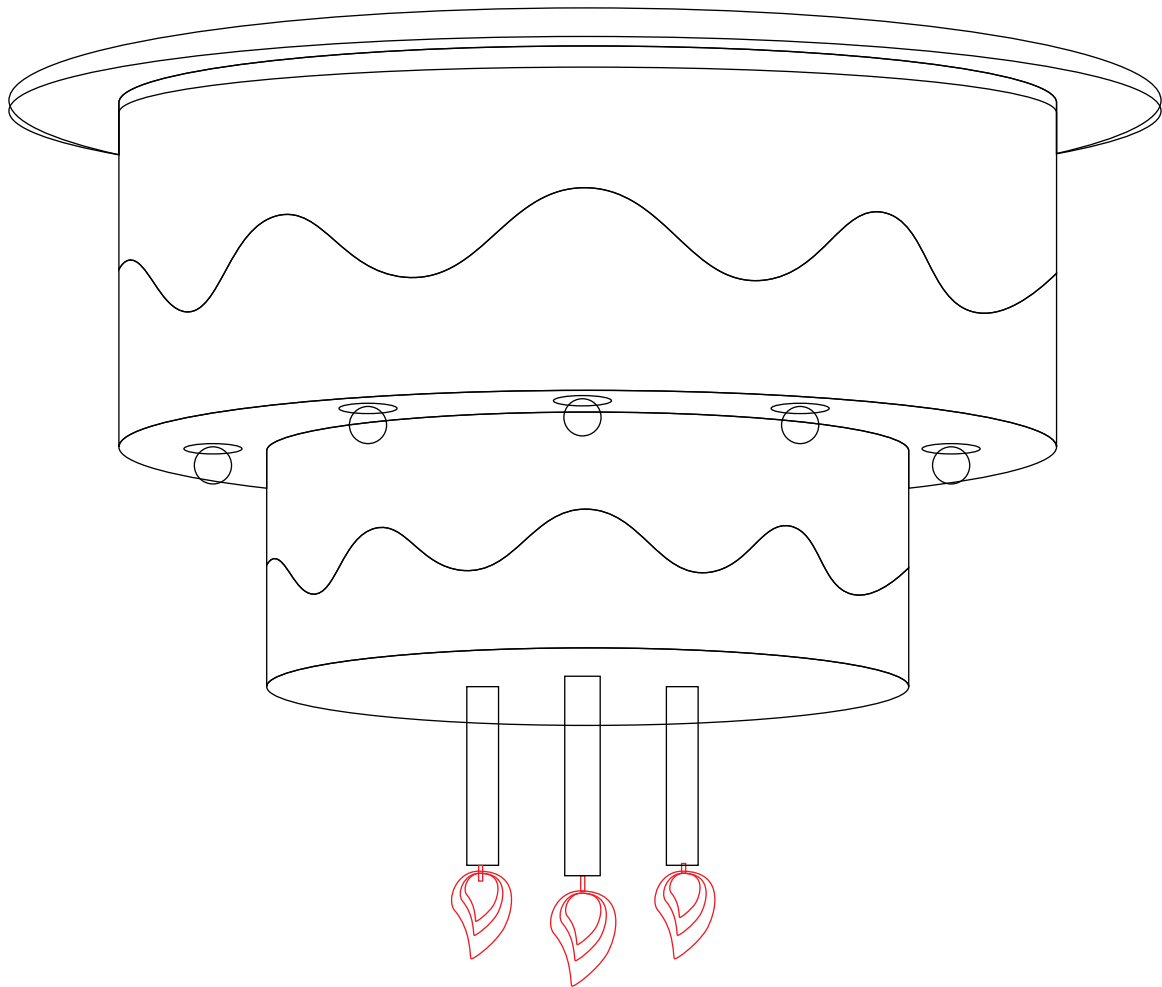
SOBC!

iCBOS

Birthday

Happy

Happy
Birthday
SobCie
SobCie
Happy Birthday
Happy Birthday



Creativity Page

This is a free-for-all page where you can use your creativity to make whatever you would like!
You can use this page to:

- 1) Write your birthday message to share with friends and family during the dance party
- 2) Tear into strips of confetti
- 3) Roll into a cone to use as a megaphone

Have fun with it!

**HAPPY
BIRTHDAY
SOBC!**